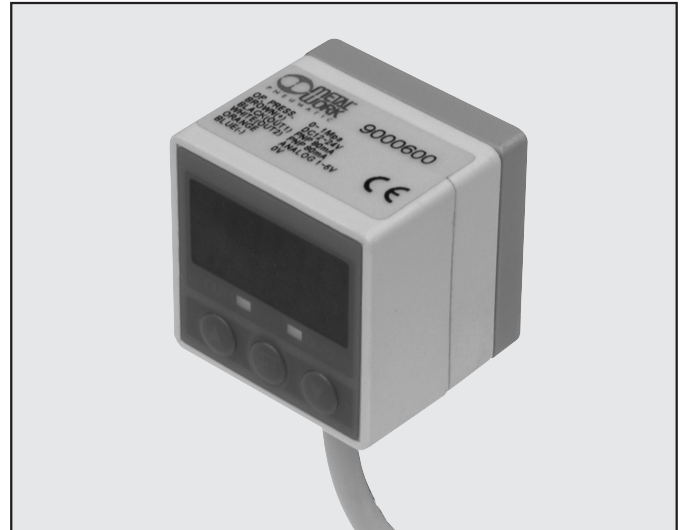
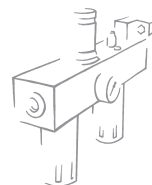


# DIGITAL PRESSURE SWITCH

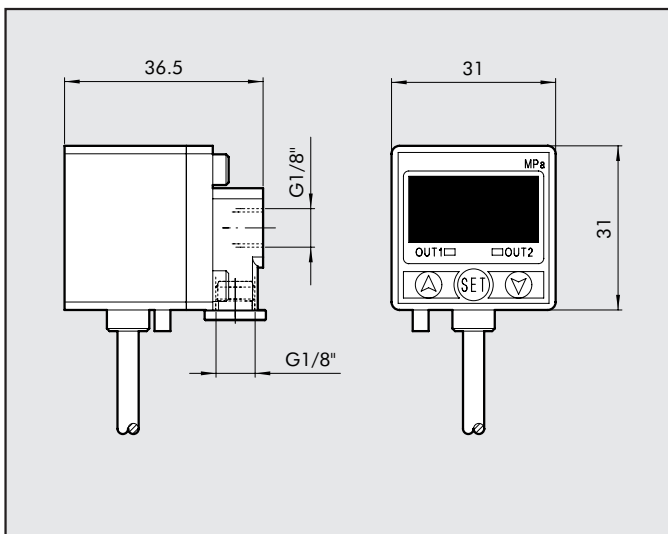
The digital pressure switch can be used to transmit electric pressure signals and also display the pressure instantly. The signal is transmitted for two settable pressure values and with an analogue voltage signal. The values are clearly displayed on a LED video and different parameters can be entered from the keypad. Hysteresis can be adjusted and the unit of measurement for pressure can be modified. Two compressed air ports are provided, one at the back and one on the bottom. The pressure switch comes with a threaded plug in the bottom port. If you wish to connect to this port, merely unscrew the plug and screw it into the back port. A kit of accessories is provided for fixing to the top or wall, or to a panel.



| TECHNICAL DATA                          |                    |   |
|---|--------------------|---|
| Working pressure range                  | bar                | 0 ÷ 10  |
|   | Mpa                | 0 ÷ 1   |
| Maximum admissible pressure             | bar                | 15  |
|   | Mpa                | 1.5   |
| Readable resolution:                    | bar                | 0.01  |
|   | Mpa                | 0.001   |
|   | kg/cm <sup>2</sup> | 0.01  |
|   | Psi                | 0.1   |
| Power supply                            | VDC                | 12 ÷ 24 ±10%, max ripple 10%  |
| Current consumption                     | mA                 | ≤ 55  |
| Digital outputs                         |                    | 2 type PNP, with max current 80 mA, max voltage 30 VDC;<br>residual voltage ≤ 1V (at 80 mA)                     |
| Digital output repeatability            |                    | ≤ ±0,2 % full scale ±2 digits   |
| Hysteresis                              |                    | Adjustable or fixed at 3 digits for operation within a pressure range   |
| Actuation response time                 | ms                 | ≤ 2.5   |
| Interference suppression selectable at  |                    | 24 ms, 192 ms, 768 ms   |
| Short-circuit protection at the outputs |                    | Yes   |
| LED 7 segment display                   |                    | 3 1/2 digit display (image update 5 times/ s)   |
| Display accuracy                        |                    | ±2% full scale ±1 digit, ambient temperature 25° ±3°C   |
| Indicators                              |                    | green LED (output 1), red LED (output 2)  |
| Analogue output                         |                    | 1-5 V ±2.5 %  |
|   |                    | Linearity ≤ 1% full scale   |
| Thermal characteristic                  |                    | ≤ ±2% full scale of the calibration pressure (at 25°C), in the temperature range 0 - 50°C                       |
| Compressed air ports                    |                    | Two 1/8"  |
| Power cable                             |                    | 2 m, with five 0.15 mm <sup>2</sup> wires, oil-resistant  |
| Weight                                  | g                  | 135, including 2 m cable  |
| <b>AMBIENT CONDITIONS:</b>              |                    |   |
| Fluid                                   |                    | Filtered and unlubricated air, inert non-corrosive and non-explosive gas  |
| Degree of protection                    |                    | IP 40   |
| Temperature range                       | °C                 | 0 ÷ 50  |
| Storage temperature                     | °C                 | -20 to +60, but without condensate or ice   |
| Ambient humidity                        |                    | 35 ÷ 85% relative humidity; no condensate   |
| Insulation voltage                      |                    | 1000 VAC for one minute between casing and cable  |
| Resistance of Insulation                |                    | Min. 50 M Ohm minimo (at 500 VDC between casing and cable)  |
| Vibration admitted                      |                    | 1.5 mm amplitude with scanning every minute from 10 to 55 Hz at 10 Hz, for 2 hours in each direction x, y and z |
| Impact                                  |                    | 980 m/s <sup>2</sup> (100 g), 3 times in each direction x, y and z  |

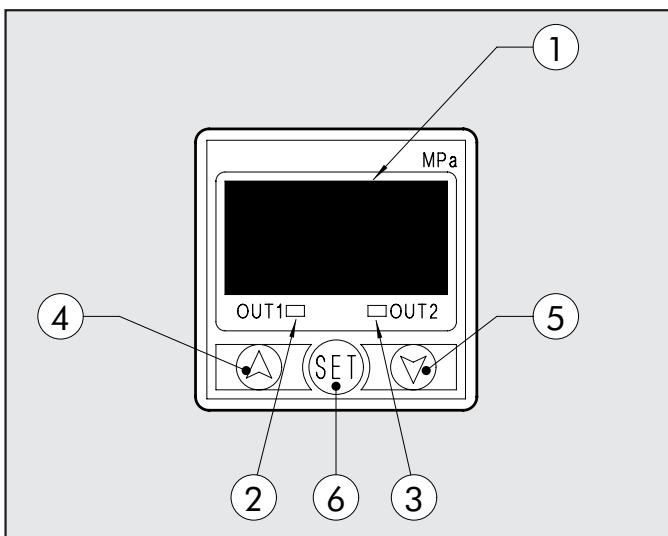


## DIMENSIONS



| Code    | Description             |
|---------|-------------------------|
| 9000600 | DIGITAL PRESSURE SWITCH |

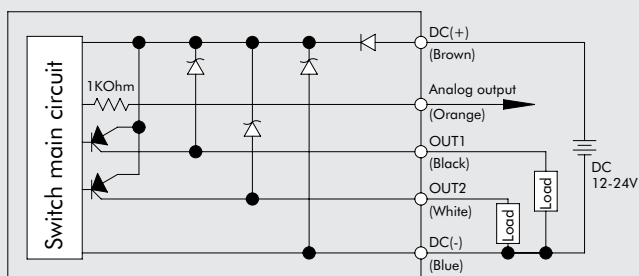
## USER INTERFACE



- ① 3 1/2 digit display: showing the pressure reading, all setting information, and the error code
- ② Digital output 1: green LED
- ③ Digital output 2: red LED
- ④ Button: modifies the value of the selected parameter
- ⑤ Button: modifies the value of the selected parameter
- ⑥ Setting button: selects the parameter to modify

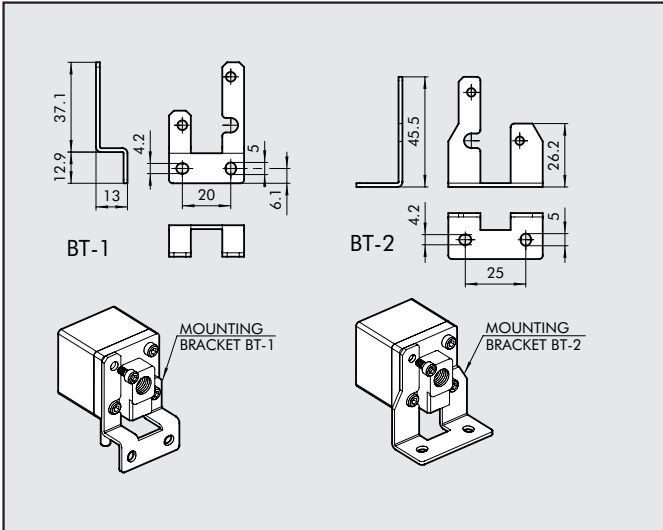
## WIRING DIAGRAM

### PNP output



## ACCESSORIES

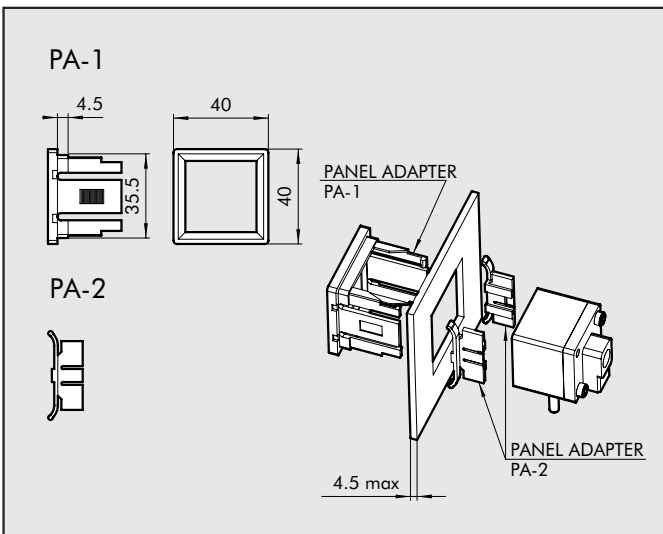
### FIXING BRACKET KIT



| Code    | Description  |
|---------|--|
| 9000601 | KIT OF FIXING BRACKETS FOR DIGITAL PRESSURE SWITCHES |

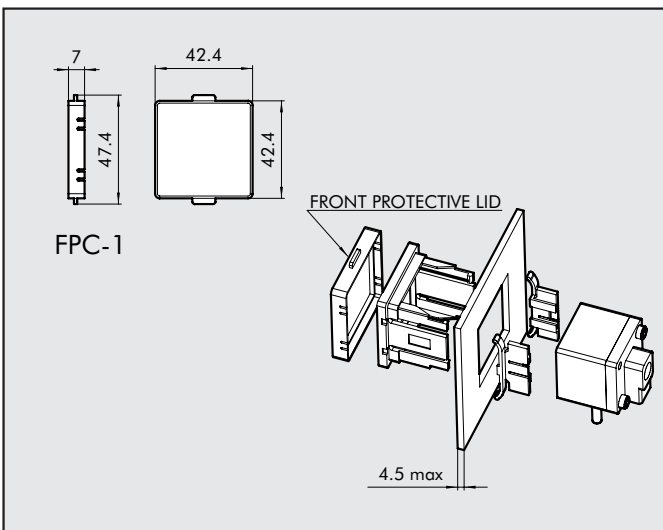
NB: Each kit contains a bracket for fixing on the back and one for fixing at the bottom.

### PANEL FIXING KIT



| Code    | Description  |
|---------|--|
| 9000602 | KIT FOR PANEL FIXING FOR THE DIGITAL PRESSURE SWITCH |

### PANEL FIXING KIT WITH VIDEO SCREEN



| Code    | Description  |
|---------|--|
| 9000603 | KIT FOR PANEL FIXING WITH SCREEN FOR THE DIGITAL PRESSURE SWITCH |